

**VANDORN™**

**Newbury**

**MODEL 140**

*C-Frame Vertical Clamp*

**Injection Unit**

	Measure	5-oz.	6-oz.	9-oz.	15-oz.
Injection Capacity (GPPS)	oz. g	4.8 136	6.5 184	9.1 258	15.3 434
Injection Capacity	cu. in. ccm	8.9 146	12.0 197	16.8 276	28.3 463
Recovery Rate (GPPS)	oz./sec. g/sec	0.85 24.1	0.87 24.7	0.87 24.7	0.88 24.9
Injection Pressure	psi bar	22,347 1,540	20,898 1,440	20,898 1,440	25,000 1,720
Injection Rate (@ 10,000 psi) (@ 700 bar)	cu. in./sec. ccm/sec	8.6 141	9.2 151	9.2 151	7.7 126
Injection Stroke	in. mm	6.0 152	5.0 127	7.0 178	9.0 229
Screw Diameter	in. mm	1.38 35	1.75 44	1.75 44	2.00 51
Screw L/D Ratio		20/1 20/1	16/1 16/1	20/1 20/1	20/1 20/1
Max. Screw Speed	rpm rpm	433 433	217 217	217 217	185 185
Back Pressure Adjust	psi bar	75-300 5-21	75-300 5-21	75-300 5-21	75-300 5-21
Barrel Heating Capacity	kW kW	8.0 8.0	8.0 8.0	9.6 9.6	11.3 11.3

**General Machine Specifications**

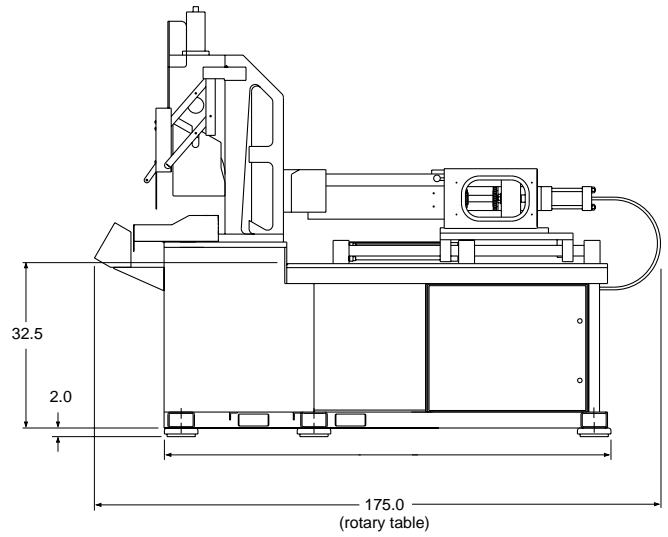
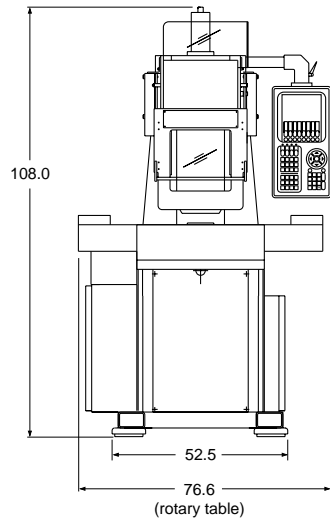
	Measure	5-oz.	6-oz.	9-oz.	15-oz.
Pump Motor	hp kW	25 19	25 19	25 19	25 19
Pump Capacity	gpm lpm	33 125	33 125	33 125	33 125
Oil Capacity	gal. L	60 227	60 227	60 227	60 227
Machine Weight (approx.)	lb. kg	19,000 8,636	19,000 8,636	19,000 8,636	19,000 8,636
<b>Machine Dimensions</b>					
Length	ft. m	14.0 4.3	14.0 4.3	14.0 4.3	14.0 4.3
Width	ft. m	7.0 2.1	7.0 2.1	7.0 2.1	7.0 2.1
Height	ft. m	10.0 3.0	10.0 3.0	10.0 3.0	10.0 3.0

**Clamp Unit**

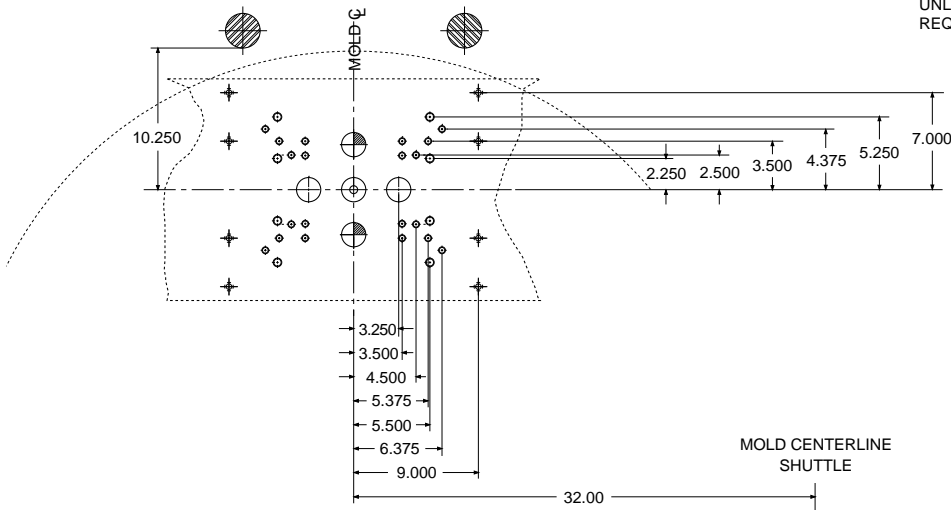
Clamp Force	U.S. tons kN	140 1,245
Clamp Stroke – Max.	in. mm	7 178
Open Daylight – Max.	in. mm	28 711
<b>Mold Thickness</b>		
Minimum	in. mm	13 330
Maximum	in. mm	21 533
<b>Max. Mold Space</b>		
Depth	in. mm	16 406
Width	in. mm	20 508
Shuttle Stroke	in. mm	32 813
Rotary Table Diameter	in. mm	60 1,524
<b>Center Line of Injection</b>		
Minimum	in. mm	6.5 165
Maximum	in. mm	11 279
<b>Upper Platen Size</b>		
Depth	in. mm	16 406
Width	in. mm	20 508
<b>Clamp Speeds</b>		
Closing	in./sec. mm/sec	8 203
Opening	in./sec. mm/sec	10 254

Performance specifications are based on theoretical data and mold, material and conditions. Since continuous improvement is Van Dorn Demag's policy, we reserve the right to change specifications, designs and performance data without prior notice or obligation.

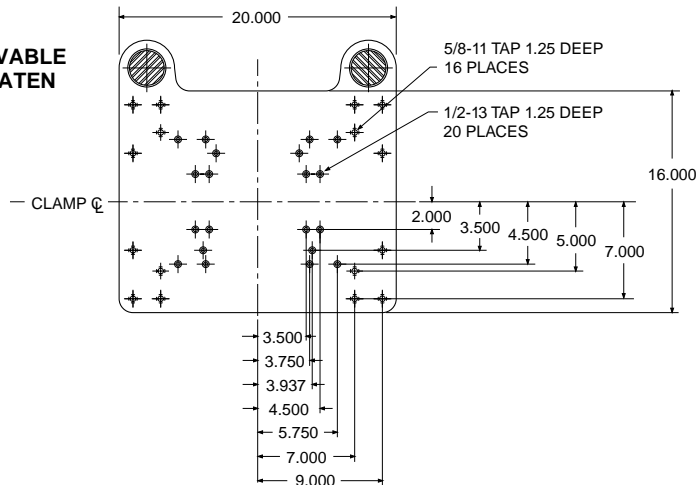
The specifications listed are standard. However, Van Dorn Demag will provide engineered options and solutions to meet virtually any performance requirements including high-pressure and high-speed configurations.



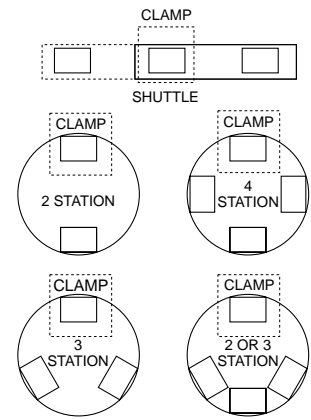
**SHUTTLE / ROTARY TABLE  
 PLATEN**



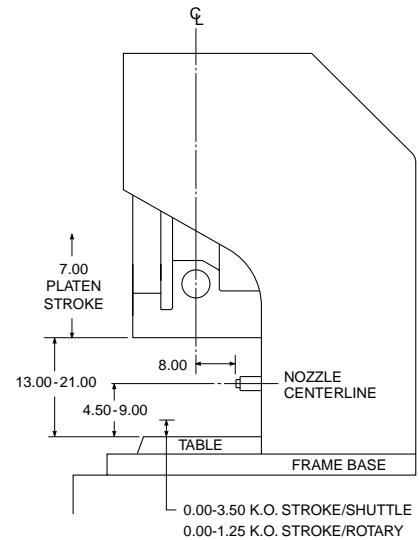
**MOVABLE  
 PLATEN**



NOTE: CLOCKWISE  
 ROTATION AND  
 4-STATION  
 CONFIGURATION  
 UNLESS OTHERWISE  
 REQUESTED



**TABLE CONFIGURATION OPTIONS**



**Demag**Plastics Group  
**VAN DORN**

**Van Dorn Demag Corporation**  
 11792 Alameda Drive  
 Strongsville, Ohio 44149 USA  
 tel: 440/876.8960  
 fax: 440/876.4383  
 web: www.vandorndemag.com