

VANDORN™**Newbury****MODEL 150***Tie Bar Vertical Clamp*

Injection Unit

	Measure	6-oz.	9-oz.	15-oz.	21-oz.
Injection Capacity (GPPS)	oz. g	6.5 184	9.1 258	15.3 434	21.5 610
Injection Capacity	cu. in. ccm	12.0 197	16.8 276	28.3 463	39.8 652
Recovery Rate (GPPS)	oz./sec. g/sec	0.72 20.4	0.87 24.7	1.05 29.8	0.99 28.1
Injection Pressure	psi bar	20,898 1,440	20,898 1,440	25,000 1,720	19,753 1,360
Injection Rate (@ 10,000 psi) (@ 700 bar)	cu. in./sec. ccm/sec	9.2 151	9.2 151	9.2 151	11.7 192
Injection Stroke	in. mm	5.0 127	7.0 178	9.0 229	10.0 254
Screw Diameter	in. mm	1.75 44	1.75 44	2.00 51	2.25 57
Screw L/D Ratio		16/1 16/1	20/1 20/1	20/1 20/1	20/1 20/1
Max. Screw Speed	rpm rpm	217 217	217 217	248 248	248 248
Back Pressure Adjust	psi bar	75-300 5-21	75-300 5-21	75-300 5-21	75-300 5-21
Barrel Heating Capacity	kW kW	8.0 8.0	9.6 9.6	11.3 11.3	15.0 15.0

General Machine Specifications

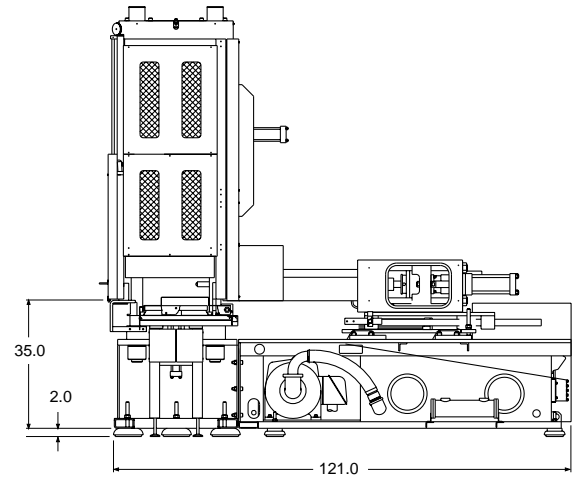
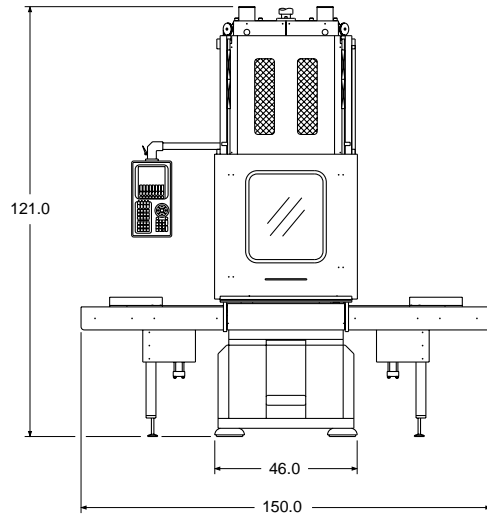
	Measure	6-oz.	9-oz.	15-oz.	21-oz.
Pump Motor	hp kW	25 19	25 19	25 19	25 19
Pump Capacity	gpm lpm	33 125	33 125	41 155	41 155
Oil Capacity	gal. L	60 227	60 227	60 227	60 227
Machine Weight (approx.)	lb. kg	15,000 6,800	15,000 6,800	15,000 6,800	15,000 6,800
Machine Dimensions					
Length	ft. m	10.1 3.1	10.1 3.1	10.1 3.1	10.1 3.1
Width	ft. m	10.4 3.2	10.4 3.2	10.4 3.2	10.4 3.2
Height	ft. m	9.6 2.9	9.6 2.9	9.6 2.9	9.6 2.9

Performance specifications are based on theoretical data and mold, material and conditions. Since continuous improvement is Van Dorn Demag's policy, we reserve the right to change specifications, designs and performance data without prior notice or obligation.

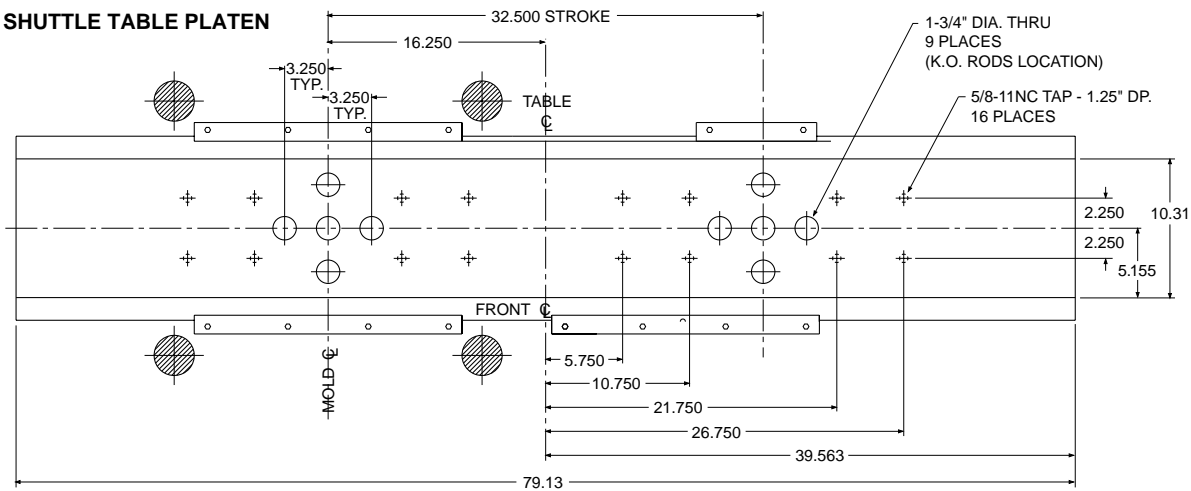
Clamp Unit

Clamp Force	U.S. tons kN	150 1,334
Clamp Stroke – Max.	in. mm	15 381
Open Daylight – Max.	in. mm	35 889
Mold Thickness		
Minimum	in. mm	8 203
Maximum	in. mm	20 528
Max. Mold Space		
Depth	in. mm	15.875 403
Width	in. mm	30 762
Distance Between Tie Bars		
Depth	in. mm	16 406
Width	in. mm	20 508
Center Line of Injection		
Minimum	in. mm	6.5 165
Maximum	in. mm	11 279
Shuttle Stroke	in. mm	32.5 826
Upper Platen Size		
Depth	in. mm	30 775
Width	in. mm	31 787
Tie Bar Diameter	in. mm	3 76
Clamp Speeds		
Closing	in./sec. mm/sec	12 305
Opening	in./sec. mm/sec	15 381

The specifications listed are standard. However, Van Dorn Demag will provide engineered options and solutions to meet virtually any performance requirements including high-pressure and high-speed configurations.



SHUTTLE TABLE PLATEN



MOVABLE PLATEN

