

VAN DORN®

275 HP SERIES

Injection Unit

| | Measure | 14-oz. | 20-oz. | 30-oz. |
|---|-------------------------|------------------|------------------|------------------|
| Injection Capacity (GPPS) | oz. g | 14 397 | 20 567 | 30 850 |
| Injection Capacity | cu. in. ccm | 27.0 442 | 40.0 655 | 59.2 970 |
| Recovery Rate (GPPS) | oz./sec. g/sec | 1.38 39 | 1.50 43 | 2.04 58 |
| (With increased screw speed) | oz./sec. g/sec | 1.90 54 | 2.40 68 | 2.50 71 |
| Injection Pressure | psi bar | 20,100 1,386 | 20,000 1,379 | 20,100 1,386 |
| Injection Rate (@10,000 psi) (@ 700 bar) | cu. in./sec. ccm/sec | 26.0 426 | 26.0 426 | 26.0 426 |
| Injection Stroke | in. mm | 8.9 226 | 10.1 257 | 11.5 292 |
| Screw Diameter | in. mm | 1.97 50 | 2.24 57 | 2.56 65 |
| Barrel L/D Ratio | | 20/1 20/1 | 20/1 20/1 | 20/1 20/1 |
| Screw Speed Range | rpm rpm | 30-290 30-290 | 30-250 30-250 | 30-220 30-220 |
| Back Pressure Adjust | psi bar | 75-300 5-21 | 75-300 5-21 | 75-300 5-21 |

General Machine Specifications

| | Measure | 14-oz. | 20-oz. | 30-oz. |
|---------------------------|------------|------------------|------------------|------------------|
| Pump Motor | hp kW | 50 37 | 50 37 | 50 37 |
| Pump Capacity | gpm lpm | 77 291 | 77 291 | 77 291 |
| Oil Capacity | gal. l | 190 720 | 190 720 | 190 720 |
| Machine Weight (approx.) | lb. kg | 27,100 12,290 | 27,300 12,380 | 27,500 12,470 |
| Machine Dimensions | | | | |
| Length | ft. m | 22.4 6.8 | 23.2 7.1 | 24.2 7.4 |
| Width | ft. m | 5.3 1.6 | 5.3 1.6 | 5.3 1.6 |
| Height | ft. m | 8.2 2.5 | 8.2 2.5 | 8.2 2.5 |
| Barrel Heating Capacity | kW kW | 15.5 15.5 | 18.2 18.2 | 20.0 20.0 |

Performance specifications are based on theoretical data and mold, material and conditions. Since continuous improvement is Van Dorn Demag's policy, we reserve the right to change specifications, designs and performance data without prior notice or obligation.

Clamp Unit

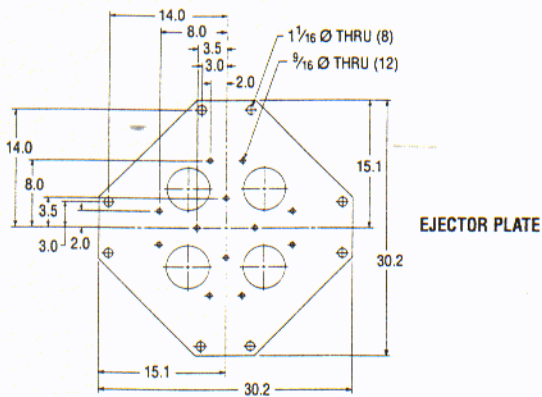
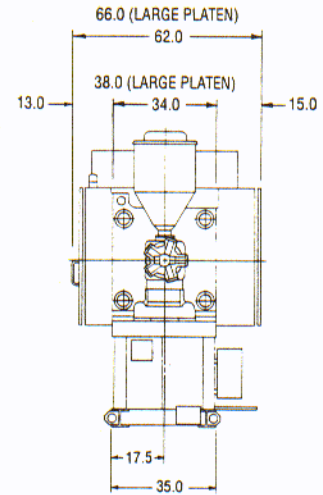
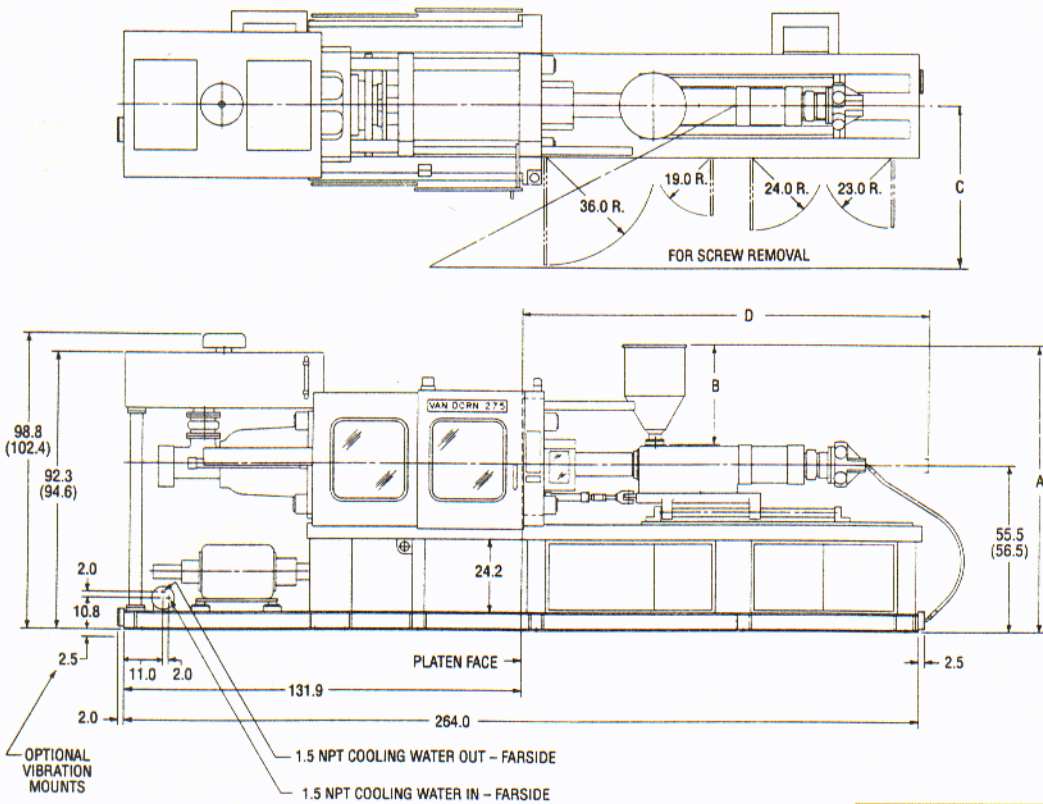
| | | |
|---|---------------------|--------------|
| Clamp Force | U.S. tons kN | 275 2,447 |
| Open Force | U.S. tons kN | 10.3 92 |
| Clamp Stroke - Max. | in. mm | 29 737 |
| Open Daylight - Max. (w/o Ejector box) | in. mm | 44 1,118 |
| Mold Thickness - Min. (w/ Ejector Box) | in. mm | 6 152 |
| Ejector Box Thickness | In. mm | 9 229 |
| Distance Between Tie Bars | | |
| Horizontal (Standard) | in. mm | 23 584 |
| (Optional Extended Tie Bar Spacing) | in. mm | 27 686 |
| Vertical (Standard) | in. mm | 23 584 |
| (Optional Extended Tie Bar Spacing) | in. mm | 27 686 |
| Platen Size | | |
| Horizontal (Standard) | in. mm | 34 864 |
| (Optional Extended Tie Bar Spacing) | in. mm | 38 965 |
| Vertical (Standard) | in. mm | 34 864 |
| (Optional Extended Tie Bar Spacing) | in. mm | 38 965 |
| Tie Bar Diameter | in. mm | 4.0 102 |
| Clamp Speeds | | |
| Closing | in./sec. mm/sec. | 32 813 |
| Opening | in./sec. mm/sec. | 30 762 |
| Ejector Force | U.S. tons kN | 4.9 44 |
| Ejector Stroke | in. mm | 4.8 121 |

Extended tie bar spacing reduces minimum mold thickness and maximum open daylight by 1/2".

The specifications listed are standard. However, Van Dorn Demag will provide engineered options and solutions to meet virtually any performance requirements including high-pressure and high-speed configurations.

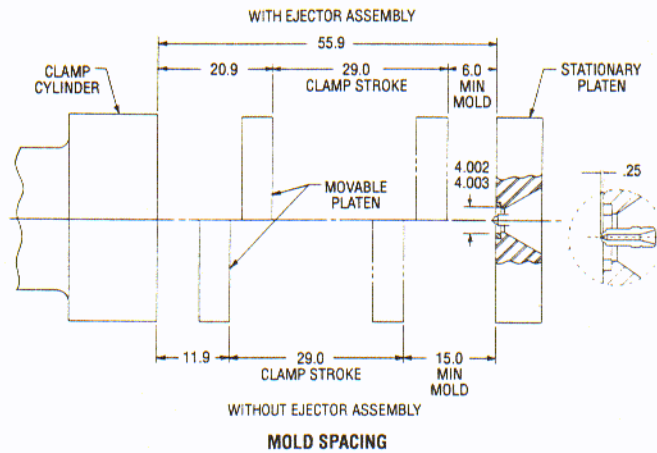
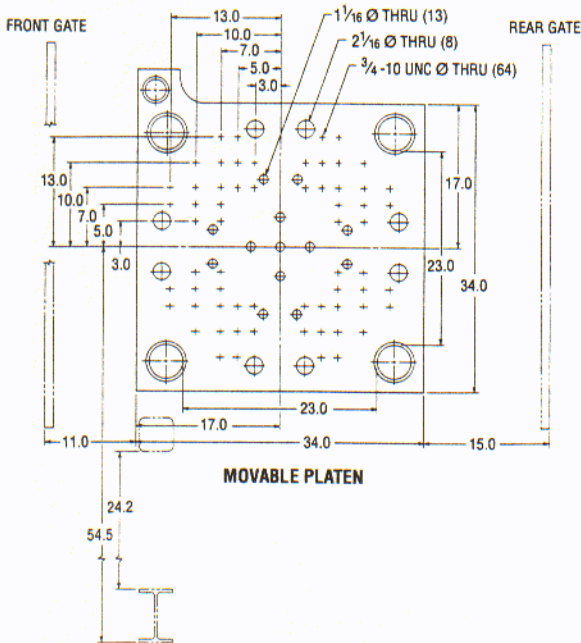
VAN DORN®

275 HP SERIES



| Injection Cap. (oz.) | A | B | C | D |
|------------------------|-------------|-------------|------|---------------|
| STANDARD BARREL | | | | |
| 14F | 93.1 (95.2) | 31.3 (32.5) | 56.0 | 135.5 (141.5) |
| 20F | 93.1 (95.2) | 31.3 (32.5) | 56.0 | 144.0 (149) |
| 30F | 93.1 (98.2) | 31.3 (33.5) | 60.0 | 157.3 (155) |
| 48F | 93.1 | 31.3 | 62.0 | 173.5 |
| VENTED BARREL | | | | |
| 14F | 93.1 (95.2) | 31.3 (32.5) | 56.0 | 163.0 (169) |
| 20F | 93.1 (95.2) | 31.3 (32.5) | 56.0 | 166.5 (171.5) |
| 30F | 93.1 (98.2) | 31.3 (33.5) | 60.0 | 193.3 (191) |
| 48F | 93.1 | 31.3 | 62.0 | — |

Dimensions in parentheses reflect large platen option.



VAN DORN DEMAG®

Van Dorn Demag Corporation
 11792 Alameda Drive
 Strongsville, Ohio 44136
 Telephone (216) 238-8960
 FAX (216) 238-3047
 Internet <http://vandorn.com>