

VAN DORN®

75 → NEWBURY

Tie Bar Vertical Clamp

Injection Unit

| | Measure | 3-oz. | 4-oz. | 5-oz. | 6-oz. | 9-oz. |
|---|-------------------------|-----------------|-----------------|-----------------|-----------------|-----------------|
| Injection Capacity (GPPS) | oz. g | 2.6 75 | 4.0 113 | 4.8 136 | 6.5 184 | 9.1 258 |
| Injection Capacity | cu. in. ccm | 4.9 80 | 7.4 122 | 8.9 146 | 12.0 197 | 16.8 276 |
| Recovery Rate (GPPS) | oz./sec. g/sec | 0.46 13.0 | 0.29 8.2 | 0.24 6.8 | 0.61 17.3 | 0.73 20.7 |
| Injection Pressure | psi bar | 27,040 1,860 | 22,347 1,540 | 22,347 1,540 | 20,898 1,440 | 20,898 1,440 |
| Injection Rate (@ 10,000 psi) (@ 700 bar) | cu. in./sec. ccm/sec | 4.8 79 | 5.9 96 | 5.9 96 | 7.7 127 | 7.7 127 |
| Injection Stroke | in. mm | 4.0 102 | 5.0 127 | 6.0 152 | 5.0 127 | 7.0 178 |
| Screw Diameter | in. mm | 1.25 32 | 1.38 35 | 1.38 35 | 1.75 44 | 1.75 44 |
| Screw L/D Ratio | | 20/1 20/1 | 16/1 16/1 | 20/1 20/1 | 16/1 16/1 | 20/1 20/1 |
| Max. Screw Speed | rpm rpm | 294 294 | 294 294 | 294 294 | 182 182 | 182 182 |
| Back Pressure Adjust | psi bar | 75-300 5-21 | 75-300 5-21 | 75-300 5-21 | 75-300 5-21 | 75-300 5-21 |
| Barrel Heating Capacity | kW kW | 6.4 6.4 | 6.4 6.4 | 8.0 8.0 | 8.0 8.0 | 9.6 9.6 |

General Machine Specifications

| | Measure | 3-oz. | 4-oz. | 5-oz. | 6-oz. | 9-oz. |
|---------------------------|------------|----------------|----------------|----------------|----------------|----------------|
| Pump Motor | hp kW | 15 11 | 15 11 | 15 11 | 15 11 | 15 11 |
| Pump Capacity | gpm lpm | 22 83 | 22 83 | 22 83 | 22 83 | 22 83 |
| Oil Capacity | gal. l | 60 227 | 60 227 | 60 227 | 60 227 | 60 227 |
| Machine Weight (approx.) | lb. kg | 6,500 2,900 | 6,500 2,900 | 6,500 2,900 | 6,500 2,900 | 6,500 2,900 |
| Machine Dimensions | | | | | | |
| Length | ft. m | 7.0 2.1 | 7.0 2.1 | 7.0 2.1 | 7.0 2.1 | 7.0 2.1 |
| Width | ft. m | 6.0 1.8 | 6.0 1.8 | 6.0 1.8 | 6.0 1.8 | 6.0 1.8 |
| Height | ft. m | 9.0 2.7 | 9.0 2.7 | 9.0 2.7 | 9.0 2.7 | 9.0 2.7 |

Performance specifications are based on theoretical data and mold, material and conditions. Since continuous improvement is Van Dorn Demag's policy, we reserve the right to change specifications, designs and performance data without prior notice or obligation.

Clamp Unit

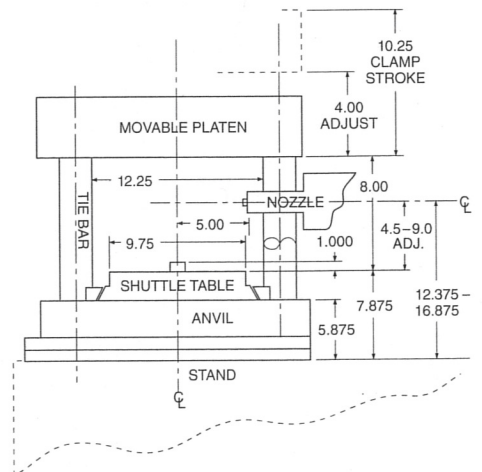
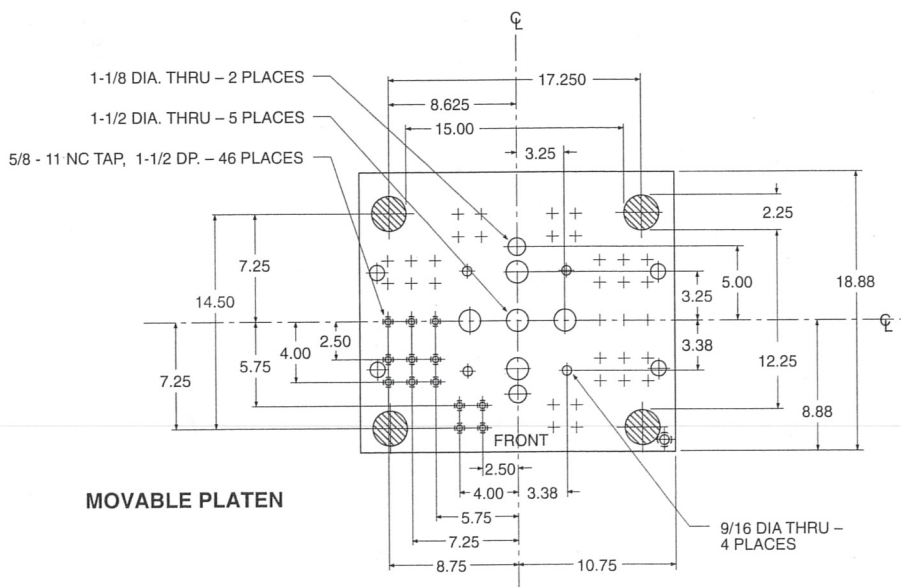
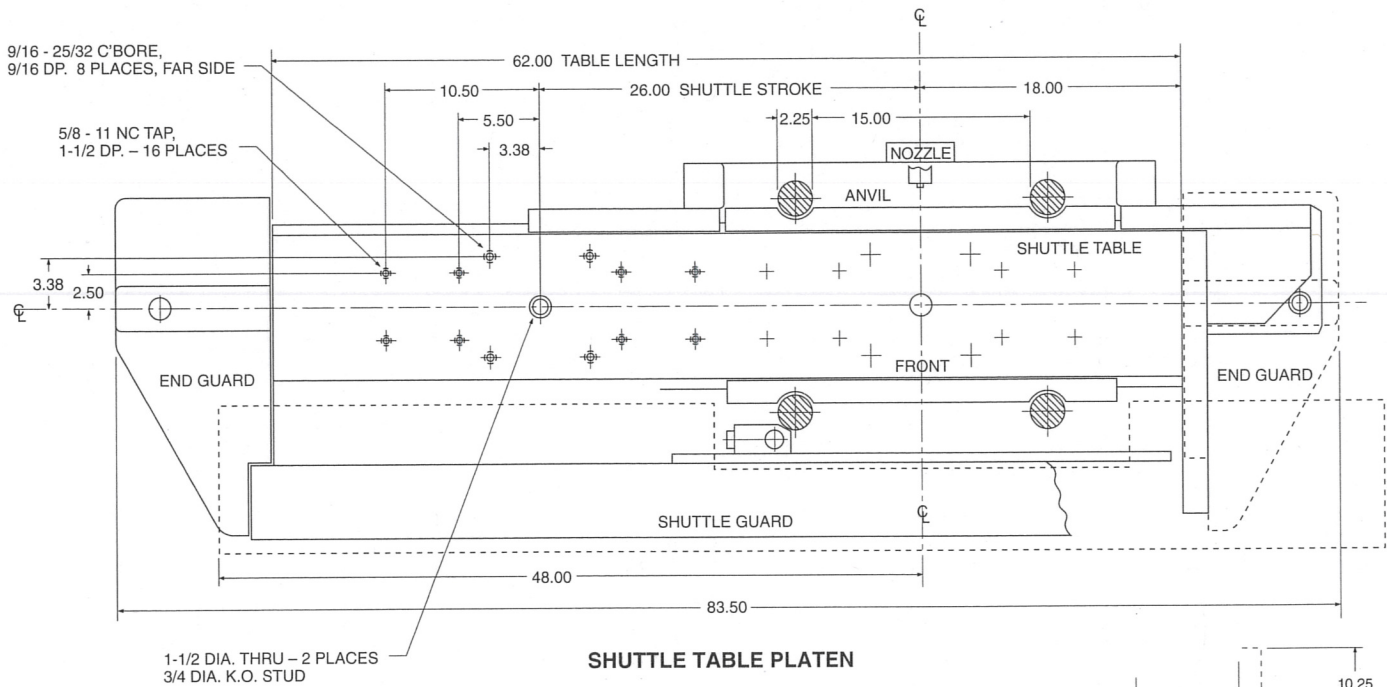
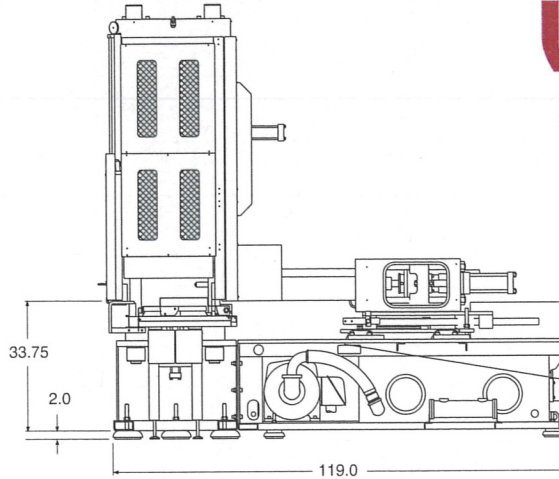
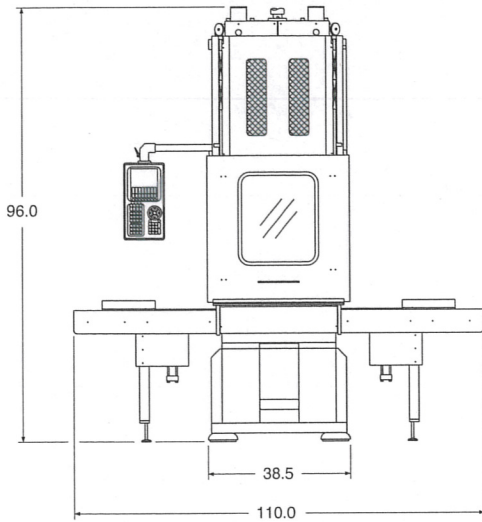
| | | |
|----------------------------------|--------------------|------------|
| Clamp Force | U.S. tons kN | 75 667 |
| Clamp Stroke – Max. | in. mm | 10 254 |
| Open Daylight – Max. | in. mm | 24 610 |
| Mold Thickness | | |
| Minimum | in. mm | 8 203 |
| Maximum | in. mm | 14 370 |
| Max. Mold Space | | |
| Depth | in. mm | 12 308 |
| Width | in. mm | 20 508 |
| Distance Between Tie Bars | | |
| Depth | in. mm | 12 311 |
| Width | in. mm | 15 381 |
| Center Line of Injection | | |
| Minimum | in. mm | 4.5 114 |
| Maximum | in. mm | 9 229 |
| Shuttle Stroke | in. mm | 26 660 |
| Upper Platen Size | | |
| Depth | in. mm | 18 457 |
| Width | in. mm | 21 533 |
| Tie Bar Diameter | in. mm | 2 57 |
| Clamp Speeds | | |
| Closing | in./sec. mm/sec | 15 381 |
| Opening | in./sec. mm/sec | 19 483 |

The specifications listed are standard. However, Van Dorn Demag will provide engineered options and solutions to meet virtually any performance requirements including high-pressure and high-speed configurations.

VAN DORN®

75 NEWBURY

Tie Bar Vertical Clamp



VAN DORN DEMAG®

Van Dorn Demag Corporation
11792 Alameda Drive
Strongsville, Ohio 44136
Telephone (440) 876-8960
FAX (440) 876-4383
Web: www.vandorn.com