

**VANDORN™**

**Newbury**

**MODEL 80**

*C-Frame Vertical Clamp*

**Injection Unit**

	Measure	3-oz.	4-oz.	5-oz.	6-oz.	9-oz.
Injection Capacity (GPPS)	oz. g	2.6 75	4.0 113	4.8 136	6.5 184	9.1 258
Injection Capacity	cu. in. ccm	4.9 80	7.4 122	8.9 146	12.0 197	16.8 276
Recovery Rate (GPPS)	oz./sec. g/sec	0.56 15.9	0.36 10.2	0.85 24.1	0.72 20.4	0.87 24.7
Injection Pressure	psi bar	27,040 1,860	22,347 1,540	22,347 1,540	20,898 1,440	20,898 1,440
Injection Rate (@ 10,000 psi) (@ 700 bar)	cu. in./sec. ccm/sec	7.1 117	8.6 141	8.6 141	9.2 151	9.2 151
Injection Stroke	in. mm	4.0 102	5.0 127	6.0 152	5.0 127	7.0 178
Screw Diameter	in. mm	1.25 32	1.38 35	1.38 35	1.75 44	1.75 44
Screw L/D Ratio		20/1 20/1	16/1 16/1	20/1 20/1	16/1 16/1	20/1 20/1
Max. Screw Speed	rpm rpm	433 433	433 433	433 433	217 217	217 217
Back Pressure Adjust	psi bar	75-300 5-21	75-300 5-21	75-300 5-21	75-300 5-21	75-300 5-21
Barrel Heating Capacity	kW kW	6.4 6.4	6.4 6.4	8.0 8.0	8.0 8.0	9.6 9.6

**General Machine Specifications**

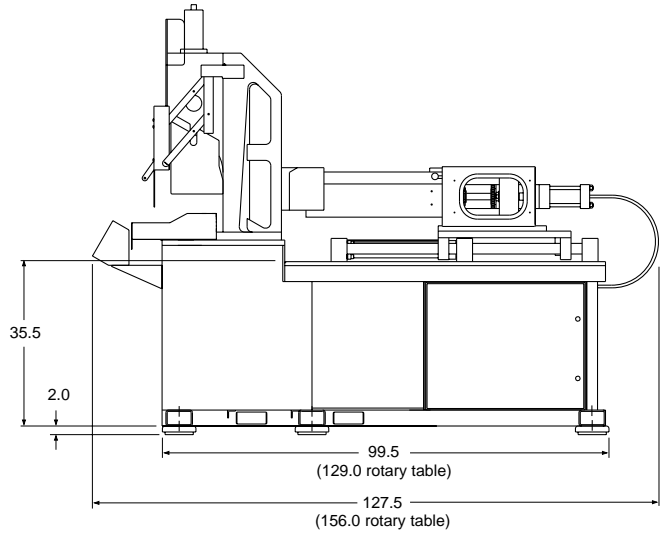
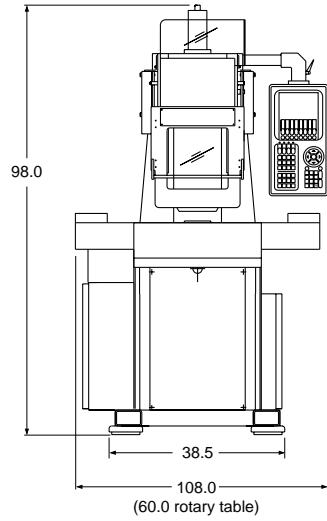
	Measure	3-oz.	4-oz.	5-oz.	6-oz.	9-oz.
Pump Motor	hp kW	25 19	25 19	25 19	25 19	25 19
Pump Capacity	gpm lpm	33 125	33 125	33 125	33 125	33 125
Oil Capacity	gal. L	60 227	60 227	60 227	60 227	60 227
Machine Weight (approx.)	lb. kg	9,500 4,300	9,500 4,300	9,500 4,300	9,500 4,300	9,500 4,300
<b>Machine Dimensions</b>						
Length	ft. m	10.2 3.1	10.2 3.1	10.2 3.1	10.2 3.1	10.2 3.1
Width	ft. m	6.7 2.0	6.7 2.0	6.7 2.0	6.7 2.0	6.7 2.0
Height	ft. m	8.4 2.6	8.4 2.6	8.4 2.6	8.4 2.6	8.4 2.6

**Clamp Unit**

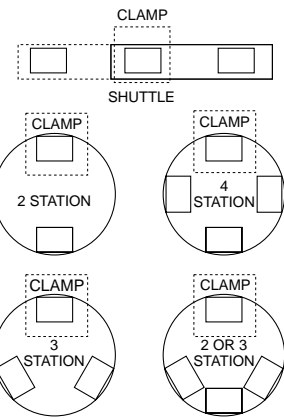
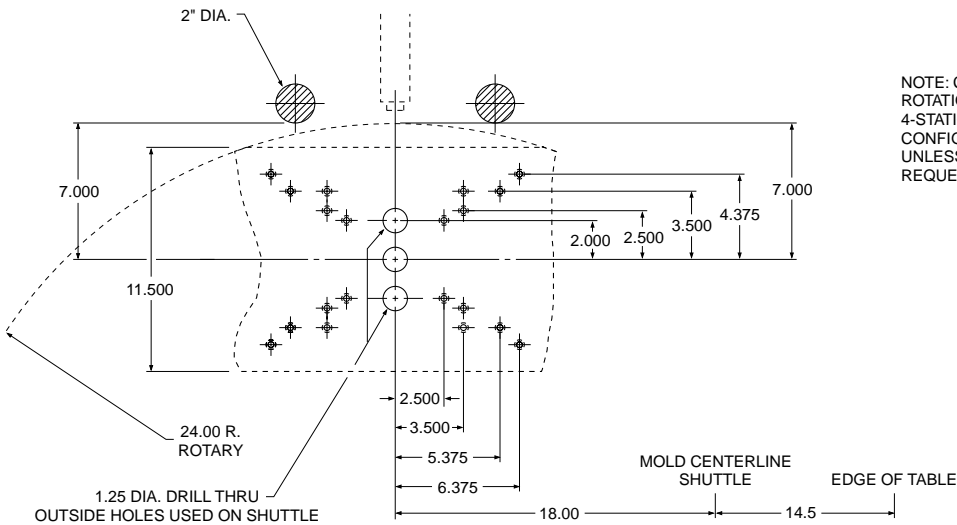
Clamp Force	U.S. tons kN	80 712
Clamp Stroke – Max.	in. mm	6.4 162
Open Daylight – Max.	in. mm	20.38 518
<b>Mold Thickness</b>		
Minimum	in. mm	8 203
Maximum	in. mm	14 370
<b>Max. Mold Space</b>		
Depth	in. mm	12 305
Width	in. mm	14 356
Shuttle Stroke	in. mm	18 457
Rotary Table Diameter	in. mm	48 1,219
<b>Center Line of Injection</b>		
Minimum	in. mm	3.5 89
Maximum	in. mm	8 203
<b>Upper Platen Size</b>		
Depth	in. mm	12 305
Width	in. mm	14 356
<b>Clamp Speeds</b>		
Closing	in./sec. mm/sec	13 330
Opening	in./sec. mm/sec	16 406

Performance specifications are based on theoretical data and mold, material and conditions. Since continuous improvement is Van Dorn Demag's policy, we reserve the right to change specifications, designs and performance data without prior notice or obligation.

The specifications listed are standard. However, Van Dorn Demag will provide engineered options and solutions to meet virtually any performance requirements including high-pressure and high-speed configurations.

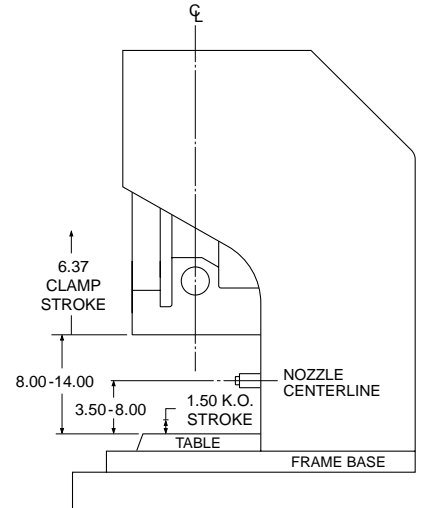


**SHUTTLE / ROTARY TABLE PLATEN**



NOTE: CLOCKWISE ROTATION AND 4-STATION CONFIGURATION UNLESS OTHERWISE REQUESTED

**TABLE CONFIGURATION OPTIONS**



**MOVABLE PLATEN**

